

## SPECIFICATIONS

System	
Processor	Intel® Celeron Dual Core, 1.9GHz or Intel® Core™ 2 Duo, 2.26GHz
GPU	NVIDIA® ION™
Memory (RAM)	2GB
Storage	8GB Flash, HDD, or 32GB to 64GB SSD
Operating Systems	Microsoft® Windows® Embedded Standard 7
Display Resolution	Up to 1920 x 1080
Video Resolution	Full-HD
Network Interface	10/ 100/ 1000Mb BaseT LAN; Wi-Fi 802.11a/b/g or Wi-Fi 802.11a/b/g/n (optional)
Expansion	PCI Express; USB
Input/Output Ports	1 DVI-I port; 1 HDMI port; 1 COM port; 19V DC-in jack; 2 Audio Jacks (Line-in, Headphone-out jacks); 4 USB 2.0 ports; RJ45 connector for Ethernet; Wi-Fi dipole antenna (optional)
Power	
AC/DC Adapter	<b>Input:</b> 100 – 240V AC; <b>Output:</b> 19V DC
Mechanical	
Enclosure	Aluminum + steel
Dimensions (H x W x D)	2.16 x 5.82 x 6.5 in/ 55 x 148 x 165.1 mm
Weight	2.9 lbs/ 1316 g
Environmental	
Regulatory	FCC Class B, CE, C-Tick, RoHS compliant
Temperature	<b>Operation:</b> 0°C - 40°C; <b>Storage:</b> -20°C - 60°C
Humidity	0% - 90% non-condensing

\* Specifications subject to change without notice.



# Signage Appliance

## SA3200

### BASIC OPERATION GUIDE

#### ENGLISH

#### INTRODUCTION

Thank you for acquiring the SA3200, a WebDT Signage Appliance by DT Research. The WebDT Signage Appliance facilitates the creation of a unique and powerful communication medium that offers unparalleled opportunities to capture an audience's attention at key decision-making locations. The SA3200 enables effective deployment for digital signage, featuring reliable, energy-efficient hardware and intuitive server-based software. The Microsoft® Windows® based SA3200 offers remote management of the hardware and the displayed content with the WebDT Content Manager software. The SA3200 together with the WebDT software, offers an integrated solution for delivering and managing messages that target audiences in the right place, at the right time.



#### Package Contents

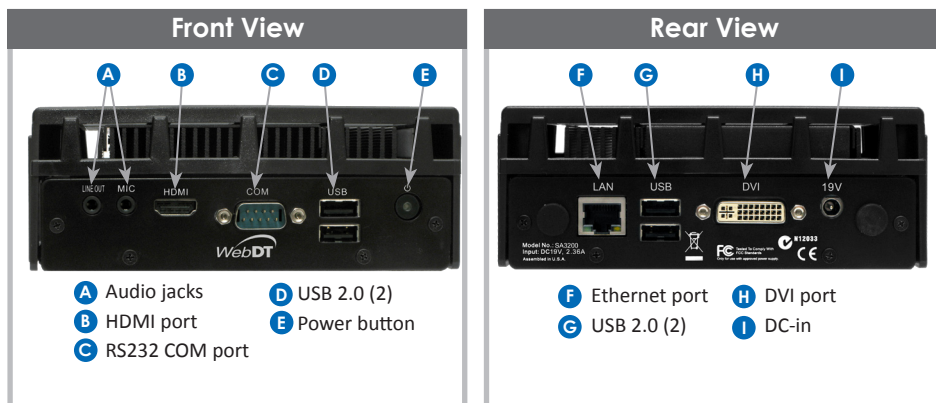
1. WebDT Signage Appliance SA3200
2. Software and User Guide (including WebDT Content Manager, and user guides on Software Disk)
3. VESA-compliant Mounting Bracket
4. AC/DC Power Adapter
5. OS Recovery DVD
6. Basic Operation Guide

**NOTE:** The actual package contents may vary depending on the configuration acquired.



WebDT Content Manager

## THE SA3200 Signage Appliance



### Powering ON and OFF

The SA3200 is programmed to Power On automatically when power is first applied or re-established. There is also a Power Button, located on the front of the SA3200. To turn the SA3200 on, push and release the Power Button on the front bezel. The adjacent power LED will be lit (blue), and the corresponding interface will be shown on the display monitor.

To turn off the device, use the software shutdown interface provided, or unplug the appliance.

In the event of system lockup, unplug or re-plug the power cable. Also, the Power Button may be used to perform a reset of the device. To do that, push and hold the Power Button for at least 4 seconds. The system will shut down and all unsaved work may be lost. Pushing on the Power Button again will restart the device.

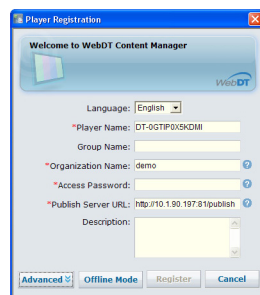
### Server Installation

Please refer to the corresponding User Guides for software installation instructions.

### Appliance Registration

After turning on the SA3200 for the first time, a screen prompt is displayed for registering the player. If the screen prompt is not shown, please follow the instructions below:

1. Press and hold "Control + Shift + Space" to exit the WCM Player software.
2. Navigate to Start | All Programs | DT Research | WebDT Signage Player
3. Select Register WebDT Signage Player Again. The Player Registration screen should appear. Fill in all fields to register. The required information is marked.
4. Click OK to register and connect to the WebDT Signage Appliance Publish Server.



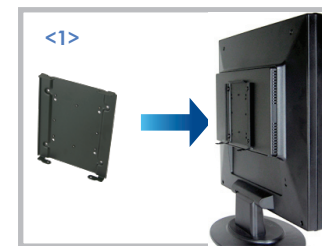
## VESA Mounting Bracket Installation Guide for SA3200

The WebDT Signage Appliance package includes a VESA-compliant mounting bracket (1) which mounts the SA3200 (2) onto a VESA-compatible monitor or display.

NOTE: The VESA Mounting Bracket is compatible with most displays and monitors that support the VESA standard.

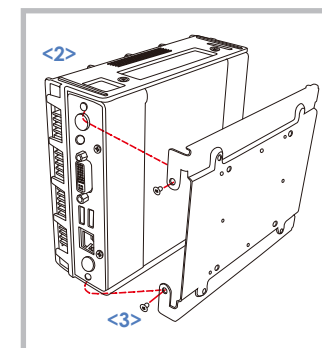
### Step1:

- Locate the existing mounting holes on the monitor.
- Line the bracket holes up with the holes on the back of the monitor, as shown to the right.
- Place the screws to hold the mounting bracket in place and tighten the screws (do not over-tighten).



### Step2:

- Remove the two M3 screws (3) originally on the SA3200 signage appliance.
- Place the SA3200 (2) on the bracket rail with the interface ports side facing downwards so that the two mounting holes on the appliance are aligned with the existing holes on the rail (see picture).



### Step 3:

- Apply and tighten the screws into their original locations and make sure that the bracket and the SA3200 are properly secured.

## Memory and Storage

Depending on the base software configuration, the user may need only the internal flash memory/SSD/ HDD of the SA3200 for user's installed software and storage. The user may also supplement storage space with USB-based peripherals such as flash disks, disk drives, etc.

## Options

The SA3200 WebDT Signage Appliance is designed to work with a range of custom and off-the-shelf options to enhance its applicability for various deployments.

- \* Internal PCI Express wireless LAN (WLAN) adapters with dipole antenna

## OS Recovery

The SA3200 OS Image Recovery DVD allows you to re-image your device when necessary. You will require a pluggable DVD Player to connect with your SA3200 and reboot the device from the DVD.

- \* Note: Be aware that re-imaging the OS on your SA player will cause existing data loss. Backup data before executing OS Recovery.